

DIGITAL PROTRACTORS 12" and 18" with **Set Miter** function

- Measures angles in any plane
- 0.1 degree resolution, accuracy, and repeatability
- Sets both miter and bevel angles
- Great for measuring and layout
- Strong magnets on all blade edges for ease of use
- Blades can be tightened for holding measurements
- "Set Miter" function calculates and helps set saws for exact miter angles

**Specifications**

Range = +/- 180 degrees

Resolution = 0.1 degrees

Accuracy = +/- 0.1 degrees

Repeatability = +/- 0.1 degrees

Battery replacement 3.0V CR2032

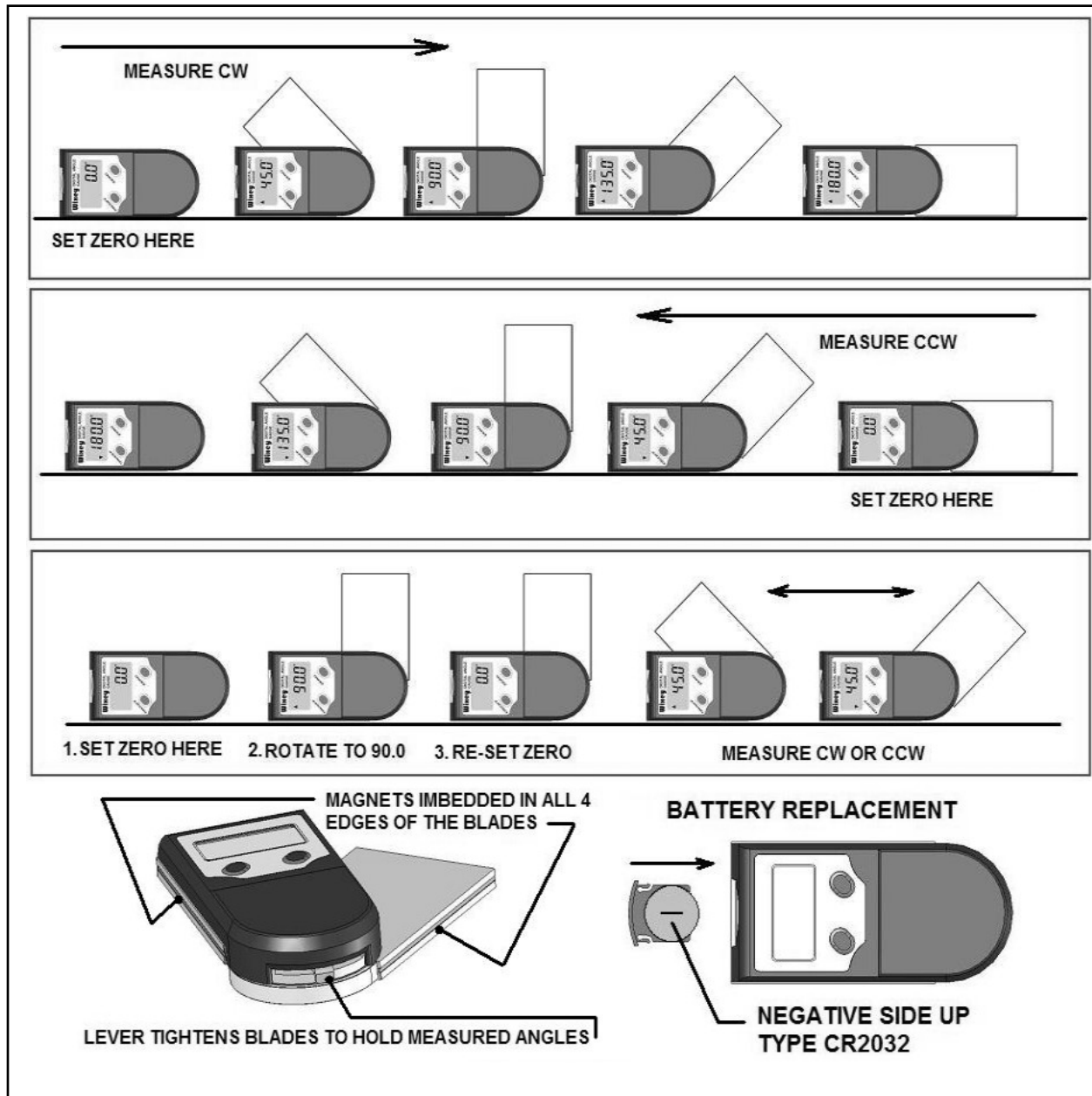
Barry Wixey Development  
5306 Umbrella Pool Road  
Sanibel, Florida

Made in China

For questions, comments, or to view our other products go to [www.wixey.com](http://www.wixey.com)

## SAFETY FIRST

- Always turn off and unplug power tools before using the Digital Protractor
- Never use your power tools without properly installed blade guards. The guards may not be shown in our instructions only to make the illustrations clear.

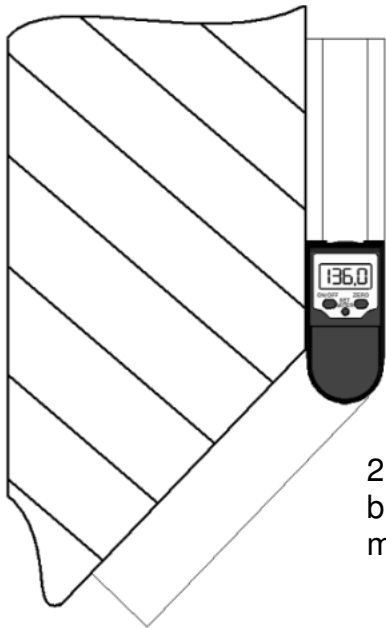


## Troubleshooting

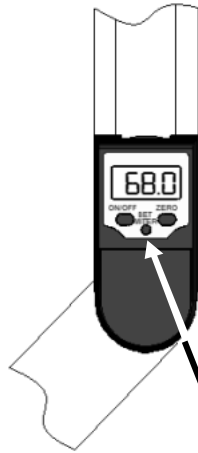
Problem	Possible Cause	Solution
Flashing Digits	Low Voltage	Replace Battery
No Display	Low Voltage	Replace Battery
No Display	Bad Contact	Clean Battery
Erratic or Frozen Display	Internal Error	Remove Battery Wait 1 Minute and Replace

## Using the Set Miter function to cut perfect trim

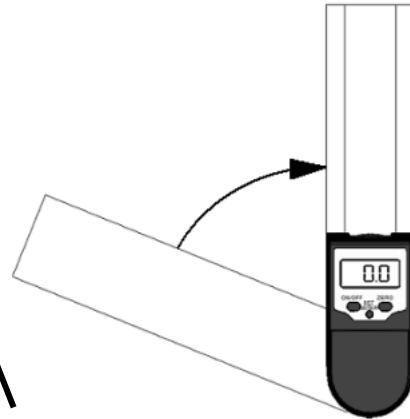
1. Measure the angle of the feature being trimmed



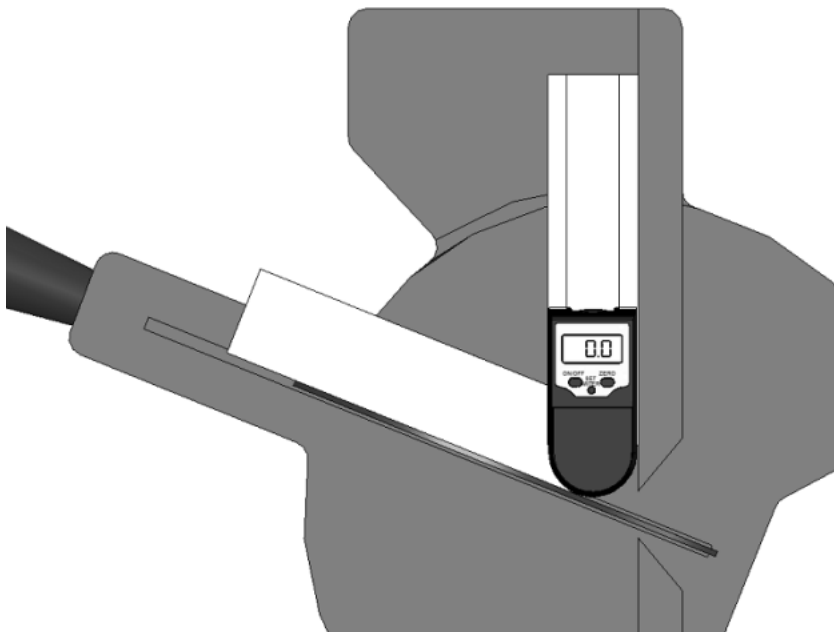
2. Press the "Set Miter" button to calculate the exact miter angle



3. Rotate the leg until the display shows 0.0



4. Use the 0.0 position to set the saw to the correct angle



5. Press the "Set Miter" button when done, to return the display to show the correct angle

