

SAFETY FIRST

- Always turn off and unplug power tools before using the Digital Protractor
- Never use your power tools without properly installed blade guards. The guards may not be shown in our instructions only to make the illustrations clear.



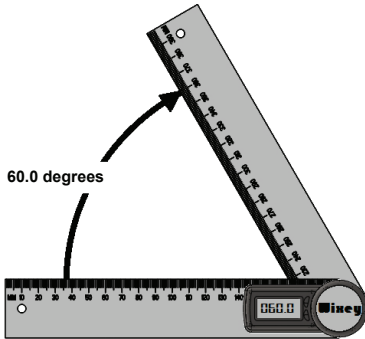
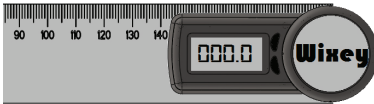
ON/OFF

- Short press to turn on or off the display only
- Press and hold 3 sec. to shut down completely
- Auto shut off after 6 minutes (display only)
- Moving the arms turns the display on unless shut down

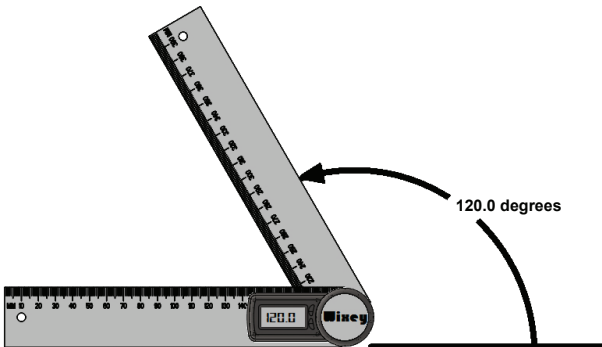
ZERO

- Press at any position to set display to 000.0

Setting to 000.0 with the arms folded flat together



Setting to 000.0 with the arms opened up flat



Wixey™

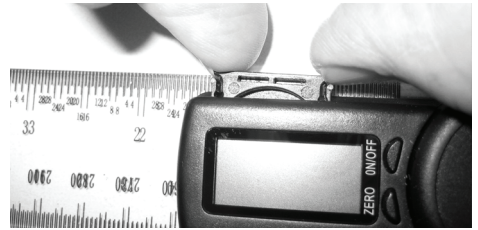
Model WR 41

8" DIGITAL PROTRACTOR & RULE

Battery Installation



Push on the tab to expose the battery holder



Pull the holder completely out of the protractor



Insert a CR2032 battery into the holder with the plus side down



Re-install the holder

PROBLEM	POSSIBLE CAUSE	SOLUTION
Flashing Digits	Low Voltage	Replace Battery
No Display	Low Voltage	Replace Battery
No Display	Bad Contact	Clean Battery
Erratic or Frozen Display	Internal Error	Remove Battery Wait 1 Minute and Replace